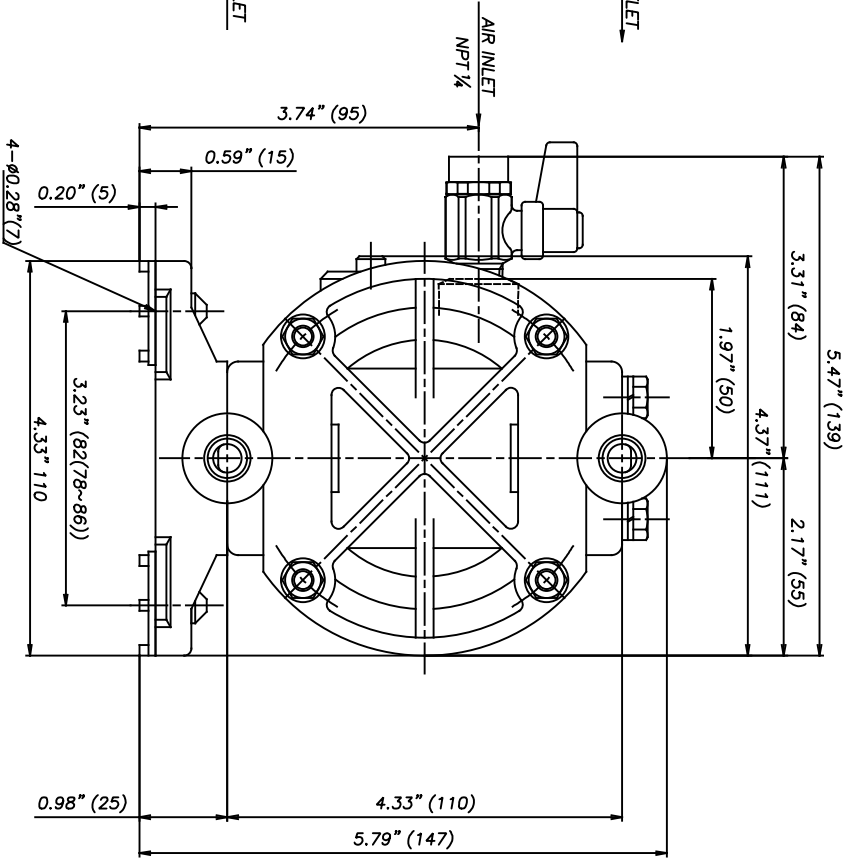
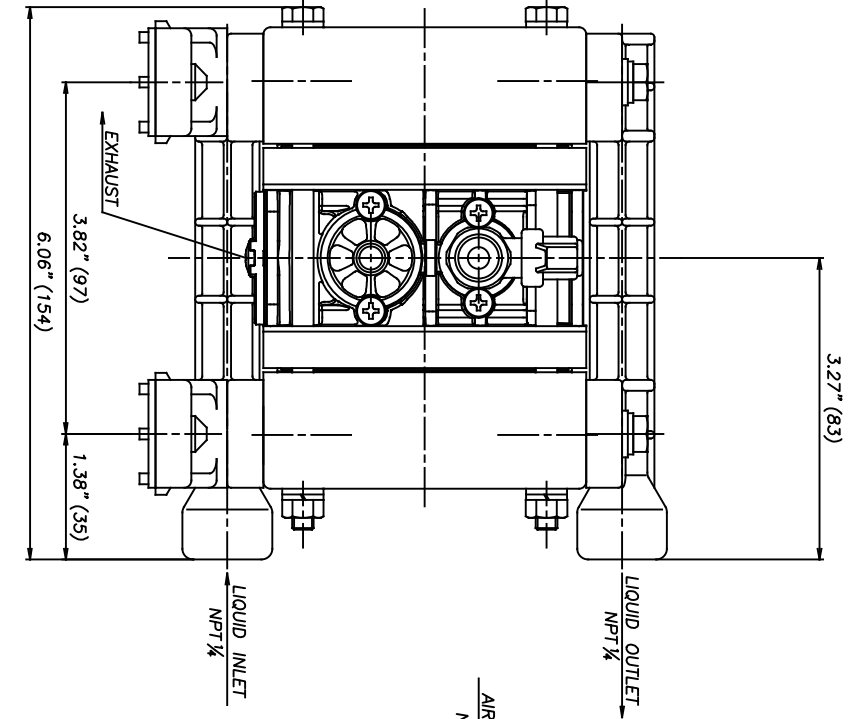


REVISIONS			DATE	APPROVED
REV	DESCRIPTION			
A	RELEASED			



NOTES:
1. SOME FEATURES MAY VARY SLIGHTLY.

PROPRIETARY
THIS DRAWING CONTAINS CONFIDENTIAL INFORMATION. INFORMATION CONTAINED HEREIN IS UNCLASSIFIED AND NOT BE RELEASED TO THE PUBLIC OR TO ANY OTHER PARTY, IN WHOLE OR IN PART, UNLESS AUTHORIZED IN WRITING BY IWAKI AMERICA.

TOLERANCES
DIMENSIONS IN INCHES: GND
UNLESS OTHERWISE NOTED
X = .050
XXX = .00

REBAR AND BREAK
ALL SHARP EDGES

www.iwakiAir.com

5 Boynton Rd.
Hopping Brook Park
Holliston, MA 01746
(508) 429-1440

BY	DATE	SIZE	DWG NO.	DESCRIPTION	REV
BW	3/13/2026	B	TC-X00216	TC-X031VTN	A
APPROVED	DATE	SCALE:	FULL	THIRD ANGLE PROJECTION	SHEET: 1 OF 1